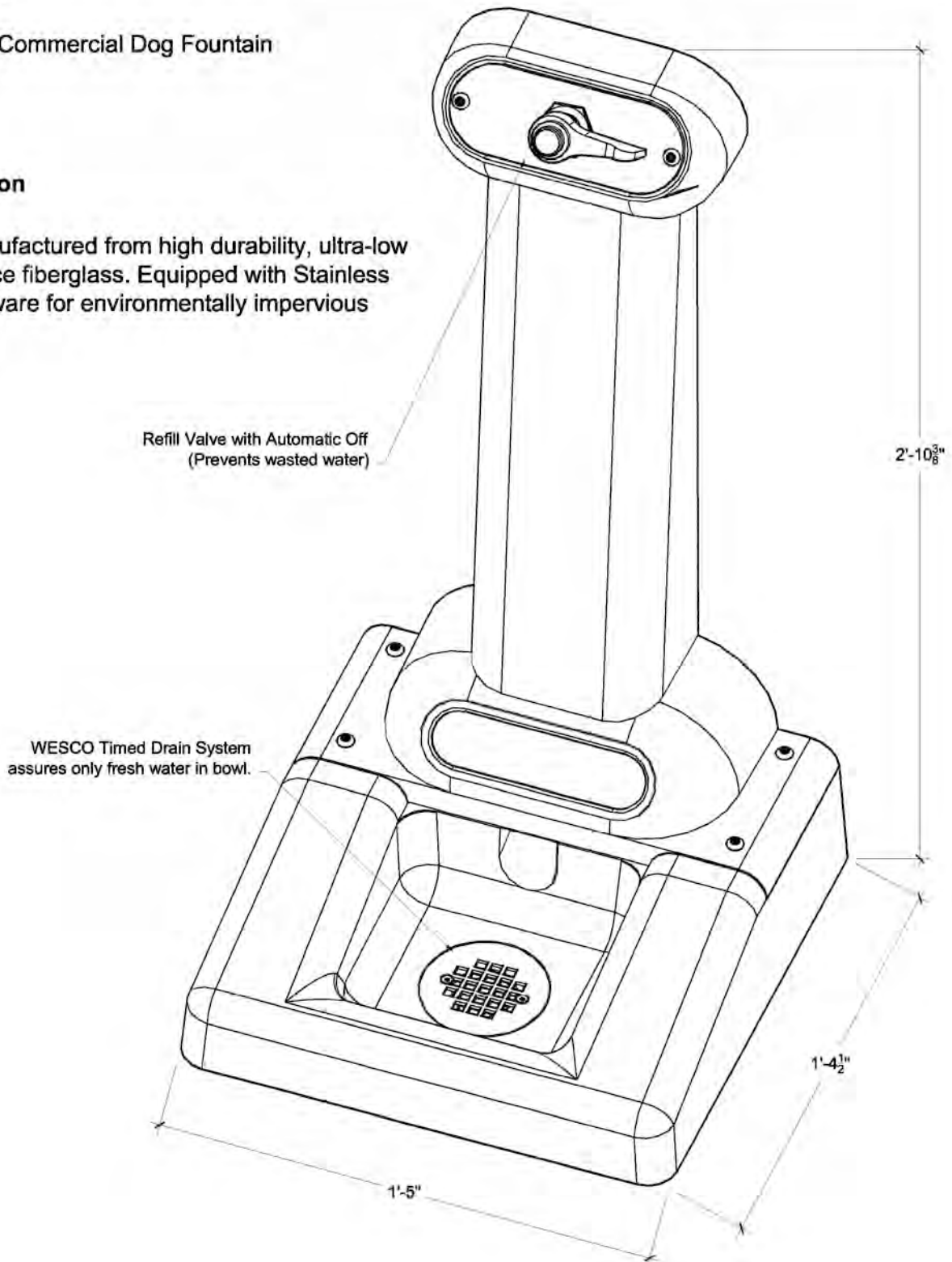


## Description

K9Guzzler Commercial Dog Fountain

## Specification

Unit is manufactured from high durability, ultra-low maintenance fiberglass. Equipped with Stainless Steel hardware for environmentally impervious durability.



# K9Guzzler

TEL: 941 484 8224 [www.WescoFountains.com](http://www.WescoFountains.com) FAX: 941 484 9302

## Commercial Dog Fountain

SERIES

**WK9**

REV.

**01**

12/09/09

CUTSHEET  
WK9

PROPRIETARY AND CONFIDENTIAL  
COPYRIGHT © 2008 WESCO FOUNTAINS, INC. THE INFORMATION CONTAINED IN THIS DRAWING IS THE SOLE PROPERTY OF WESCO FOUNTAINS, INC.  
ANY REPRODUCTION IN PART OR AS A WHOLE WITHOUT WRITTEN PERMISSION OF WESCO FOUNTAINS, INC. IS PROHIBITED